




PRODUCTS

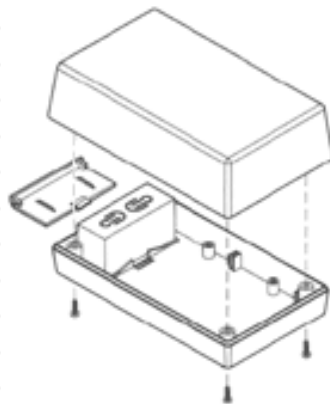
- Products Home
- Size Table
- Accessories
- Customization
- + A-Series
- + C-Series
- + CA-Series
- + CH-Series
- + G-Series
- + H-Series
- + M-Series
- + R-Series
- + RX-Series
- + S-Series
- + SL-Series

Products: S-Series 232 (9V)



MODEL	LENGTH	WIDTH	HEIGHT	DRAWINGS	
				(.pdf)	(.dwg)
232 (9V) 	4.380"	3.250"	2.010"		
Click to view circuit board diagram (332/339, 432/439)					

FEATURES



- Two-piece standard design
- Circuit board mounting bosses
- 9V battery compartment with contactors
- Wall mount option (select models)
- Assembly with four screws
- Customization available
 - two insert areas/I-Plates (top and bottom)
 - machining
 - pad printing

COLORS



Black



Almond



Gray

Custom Colors Also Available

[RETURN TO TOP](#)

ACCESSORIES (Click an accessory for compatible models and part numbers)



Grid and Clad Prototyping Boards
(P/N 332/339, 432/439)



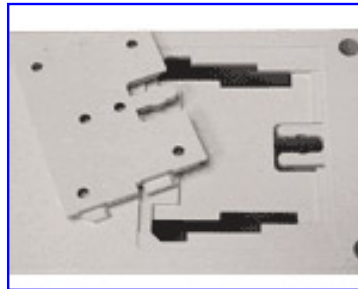
Pocket Clip



Key Holder



Non-Skid Feet (P/N 50)



Wall Mount

[RETURN TO TOP](#)

[Home](#) | [About SERPAC](#) | [Products](#) | [Accessories](#) | [Customizations](#) | [Distributors](#) | [Buy Now!](#) | [Contact Us](#)

PRODUCTS: [A-Series](#) | [C-Series](#) | [CA-Series](#) | [CH-Series](#) | [G-Series](#) | [H-Series](#) | [M-Series](#) | [R-Series](#) | [S-Series](#) | [SL-Series](#)

© 2004, SERPAC Electronic Enclosures. All Rights Reserved